

12FOS and 22FOS Series

Multi-Cartridge Filter Housings



- Designed for industrial and commercial filtration needs
- Heavy-duty 304L or 316L stainless steel construction for maximum durability and corrosion resistance
- V-band clamp or swing bolt closures for quick and easy cartridge change outs and secure sealing
- Holds 30" or 40" cartridge lengths to accommodate a wide range of flow rates
- Accepts double open-ended (DOE) style cartridges (222 and 226 style adapters are optional)
- Knife edge seals eliminate bypass on DOE cartridges
- Top spring seals allow for cartridge length variations
- Flange inlet and outlet connections allow for easy piping
- Equipped with heavy-duty stainless steel mounting legs

Applications

Water	Desalination
Chemicals	Food & Beverage
Electronics	Oil / Gas
Power	Inks / Paints / Coatings
Coolants	Pulp & Paper

Specifications & Operating Parameters

Maximum Operating Pressure

150 psig (10.3 bar) @ 300°F (149°C)

Inlet and Outlet Connections

Inlet /Outlet: 3" (12FOS) and 4" (22FOS) RF Flanges

Drain Ports: 1/2" FNPT

Vent Ports: 1/4" FNPT (12FOS), 1/2" FNPT (22FOS)

Optional: RF flanges, Sanitary ferrules, MNPT, FNPT, BSP and Grooved fittings.

Materials of Construction

Head and Shell: 304L or 316L Stainless Steel

Connections: 304L or 316L Stainless Steel

Closure: Clamp: 304L Stainless Steel

Swing Bolts: Zinc Plated Steel

Vent and Drain Plugs: 304L or 316L Stainless Steel

Mounting Legs: 304L Stainless Steel

Gaskets

Buna N (FDA Grade)

Optional: EPR, Silicone, Viton or Teflon Encapsulated Silicone

Finish

Poly-coat on exterior surfaces

Optional: Electro-polish, Glass bead or Passivate

Cartridge Type

DOE style cartridges (maximum 2 3/4" diameter for 12FOS and 2 5/8" diameter for 22FOS series)

Optional: 222 and 226 adapters. For 2 3/4" cartridge 22FOS series holds twenty-one cartridges... order as 21FOS housing.

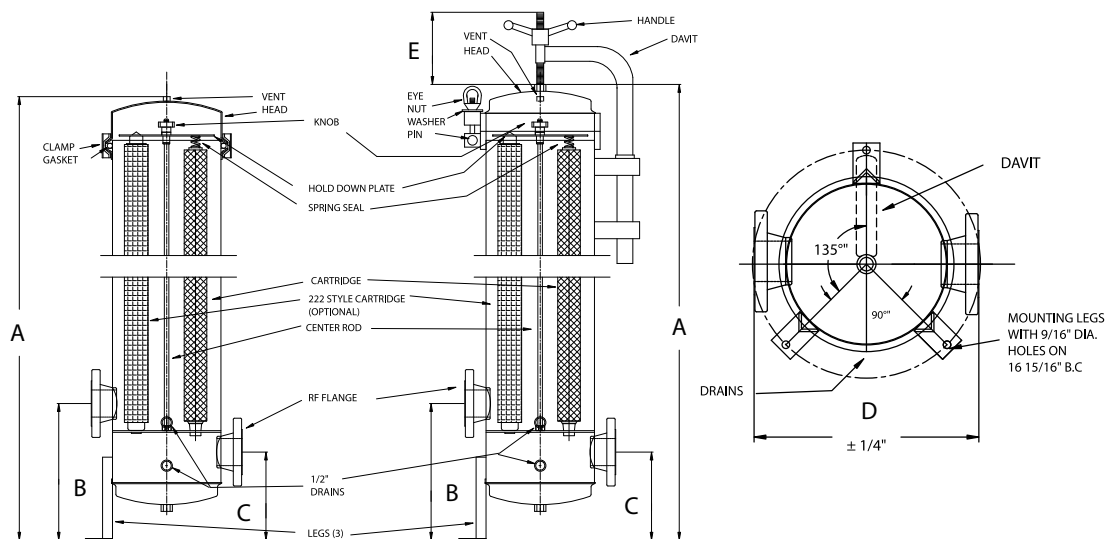
Custom Options

- Gauge Ports or Gauge Ports with Pressure Gauges
See Ordering Guide for complete selection of options

MODEL	QUANTITY (LENGTH) OF CARTRIDGES +	RATED FLOW CAPACITY* GPM(LPM)	INLET / OUTLET (PIPE SIZE)	MAXIMUM DIAMETER CARTRIDGE	CLAMP STYLE	SWING BOLT STYLE				
					A	A	B	C	D	E
12FOS2	12 (20")	168 (636)	3"	2 3/4"	39 1/2" (100.3 cm)	40 1/2" (102.9 cm)	15 3/8" (39.1 cm)	10" (25.4 cm)	16 11/16" (42.5 cm)	8" (20.3 cm)
12FOS3	12 (30")	252 (954)	3"	2 3/4"	49 1/2" (125.7 cm)	50 1/2" (128.3 cm)	15 3/8" (39.1 cm)	10" (25.4 cm)	16 11/16" (42.5 cm)	8" (20.3 cm)
12FOS4	12 (40")	336 (1272)	3"	2 3/4"	59 1/2" (151.1 cm)	60 1/2" (153.7 cm)	15 3/8" (39.1 cm)	10" (25.4 cm)	16 11/16" (42.5 cm)	8" (20.3 cm)
22FOS3**	22 (30")	462 (1749)	4"	2 5/8" **	50 3/16" (127.5 cm)	50 3/16" (127.5 cm)	15 1/4" (38.7 cm)	9 1/2" (24.1 cm)	21" (53.3 cm)	12" (25.4 cm)
22FOS4**	22 (40")	616 (2332)	4"	2 5/8" **	60 3/16" (152.9 cm)	60 3/16" (152.9 cm)	15 1/4" (38.7 cm)	9 1/2" (24.1 cm)	21" (53.3 cm)	12" (25.4 cm)

- + Housings will accept cartridge lengths: 10" = (9 3/4" or 10"), 20" = (19 1/2" or 20"), 30" = (29 1/4" or 30") and 40" = (39" or 40")
- Based upon 7 gpm per 10' length with a 25 micron wound cartridge at 2 PSID clean and viscosity of 1 cps. Flow rates are for guidelines only. Actual flow rates are based on fluid, viscosity, cartridge type, micron ratings and other factors.
- ** When using 222 or 226 connectors, you must change to a 21FOS housing (21 round) for 2 3/4" OD cartridges.

Dimensions



Ordering Guide (Example: 12FOS3SB-316-222-3F-GP-B)

12FOS	3	SB	-	316	-	222	-	3	F	-	GP	-	B
MODEL	LENGTH OF CARTRIDGES	CLOSURE STYLE		MATERIAL		CARTRIDGE CONFIGURATION		CONNECTION SIZE		CONNECTION TYPE		OPTIONS	GASKET
12FOS 22FOS	2 = 2 High 3 = 3 High 4 = 4 High	C = Clamp SB = Swing Bolt		304 = 304L 316 = 316L		Blank = DOE Style Cartridges (Standard) 222 = 222 Fin/Flat Style Cartridges 226 = 226 Fin/Flat Style Cartridges		3 = 3" (Standard for 12FOS) 4 = 4" (Standard for 22FOS) 2 = 2"		F = Flange (Standard) TC = Ferrules GF = Grooved Fittings MNPT = Male NPT* FNPT = Female NPT*		GP = Gauge Ports GPA = Gauge ports with Gauges EP = Electro-Polish GB = Glass Bead P = Passivate	B = Buna N (Standard) E = EPR S = Silicone V = Viton TS = Teflon Encapsulated Silicone

* Available in 2" sizes

Customization

Housings may be customized to meet your precise requirements. Contact Shelco's technical support staff or your distributor for more information.

For more information, contact Nancrede Engineering

EMAIL: info@nancrede.com

PHONE: +1 888 56-WATER (569-2837)

WEB: www.necoindustrialwater.com