

4FOS and 5FOS Series

Multi-Cartridge Filter Housings



- Designed for general purpose industrial and commercial filtration needs
- Heavy-duty 304L or 316L stainless steel construction for maximum durability and corrosion resistance
- V-band clamp or swing bolt closures for quick and easy cartridge change outs and secure sealing
- Holds four or five cartridges from 10" to 40" lengths for optimal choice of flow rates
- Accepts double open-ended (DOE) style cartridges (222 and 226 style adapters are optional)
- Knife edge seals eliminate bypass on DOE cartridge
- Adjustable top plate accepts variable length cartridges
- Wide range of options to meet specific filtration and installation requirements

Applications

Water	Desalination
Chemicals	Food & Beverage
Electronics	Oil / Gas
Power	Inks / Paints / Coatings
Coolants	Pulp & Paper

Specifications & Operating Parameters

Maximum Operating Pressure

150 psig (10.3 bar) @ 300°F (149°C)

Inlet and Outlet Connections

Inlet /Outlet: 2" MNPT

Drain Ports: 1/2" FNPT

Vent Ports: 1/4" FNPT

*Optional: MNPT, FNPT and BSP fittings,
RF flanges, Sanitary ferrules and Grooved fittings*

Materials of Construction

Head and Shell: 304L or 316L Stainless Steel

Connections: 304L or 316L Stainless Steel

Closure: Clamp: 304L Stainless steel

Swing Bolts: Zinc Plated Steel

Vent and Drain Plugs: 304L or 316L Stainless Steel

Gaskets

Buna N (FDA Grade)

Optional: EPR, Silicone, Viton or Teflon

Encapsulated Silicone

Finish

Poly-coat on exterior surfaces

Optional: Electro-polish, Glass bead or Passivate

Cartridge Type

DOE style cartridges (maximum 2 3/4" OD)

Optional: 222 and 226 adapters

Custom Options

- Gauge Ports or Gauge Ports with Pressure Gauges

- Mounting Tabs, Mounting Legs or Heavy Duty Mounting Legs

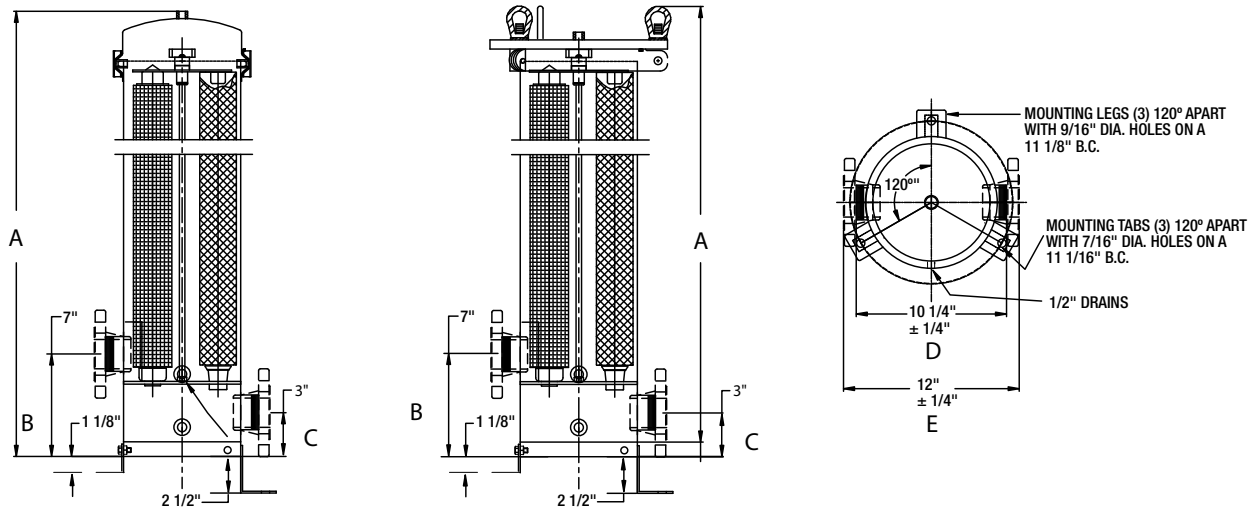
See Ordering Guide for complete selection of options

MODEL	QUANTITY (LENGTH) OF CARTRIDGES +	RATED FLOW CAPACITY* GPM(LPM)	MAXIMUM DIAMETER CARTRIDGE	CLAMP STYLE	SWING BOLT STYLE				
				A	A	B	C	D	E
4FOS1/5FOS1	4/5 (10")	28 (106) / 35 (132)	2 3/4"	20 7/8" (53.0 cm)	22 1/4" (56.3 cm)	7" (17.8 cm)	3" (7.6 cm)	10 1/4" (26.0 cm)	12" (30.46 cm)
4FOS2/5FOS2	4/5 (20")	56 (212) / 70 (265)	2 3/4"	30 7/8" (78.4 cm)	32 1/4" (81.9 cm)	7" (17.8 cm)	3" (7.6 cm)	10 1/4" (26.0 cm)	12" (30.46 cm)
4FOS3/5FOS3	4/5 (30")	84 (318) / 105 (397)	2 3/4"	40 7/8" (103.8 cm)	42 1/4" (107.3 cm)	7" (17.8 cm)	3" (7.6 cm)	10 1/4" (26.0 cm)	12" (30.46 cm)
4FOS4/5FOS4	4/5 (40")	112 (424) / 140 (530)	2 3/4"	50 7/8" (129.2 cm)	52 1/4" (132.7 cm)	7" (17.8 cm)	3" (7.6 cm)	10 1/4" (26.0 cm)	12" (30.46 cm)

+ Housings will accept cartridge lengths: 10" = (9 3/4" or 10"), 20" = (19 1/2" or 20"), 30" = (29 1/4" or 30") and 40" = (39" or 40")

* Based upon 7 gpm per 10" length with a 25 micron wound cartridge at 2 PSID clean and viscosity of 1 cps. Flow rates are for guidelines only. Actual flow rates are based on fluid, viscosity, cartridge type, micron ratings and other factors.

Dimensions



Ordering Guide (Example: 4FOS3SB-316-226-2MNPT-ML-B)

4FOS	3	SB	-	316	-	226	-	2	MNPT	-	ML	-	B
MODEL	LENGTH OF CARTRIDGES	CLOSURE STYLE	MATERIAL	CARTRIDGE CONFIGURATION	CONNECTION SIZE	CONNECTION TYPE	OPTIONS	GASKET					
4FOS 5FOS	1 = 1 High 2 = 2 High 3 = 3 High 4 = 4 High	C = Clamp SB = Swing Bolt	304 = 304L 316 = 316L	Blank=DOE Cartridges (Standard) 222 = 222 Fin/Flat Style Cartridges 226 = 226 Fin/Flat Style Cartridges	2 (standard) 1.5	MNPT = Male Pipe Thread (Standard) FNPT = Female Couplings + BSPT = BSP Tapered + BSPP = BSP Parallel + F = Flange TC = Ferrules GF = Grooved Fittings	TABS = Mounting Tabs ML = Mounting Legs OL = Heavy Duty Legs GP = Gauge Ports GPA = Gauge ports with Gauges EP = Electropolished GB = Glass Bead P = Passivate	B = Buna N (Standard) E = EPR S = Silicone V = Viton TS = Teflon Encapsulated Silicone					

+ Available only in 2" connection size

Customization

Housings may be customized to meet your precise requirements. Contact Shelco's technical support staff or your distributor for more information.

For more information, contact Nancrede Engineering

EMAIL: info@nancrede.com

PHONE: +1 888 56-WATER (569-2837)

WEB: www.necoindustrialwater.com